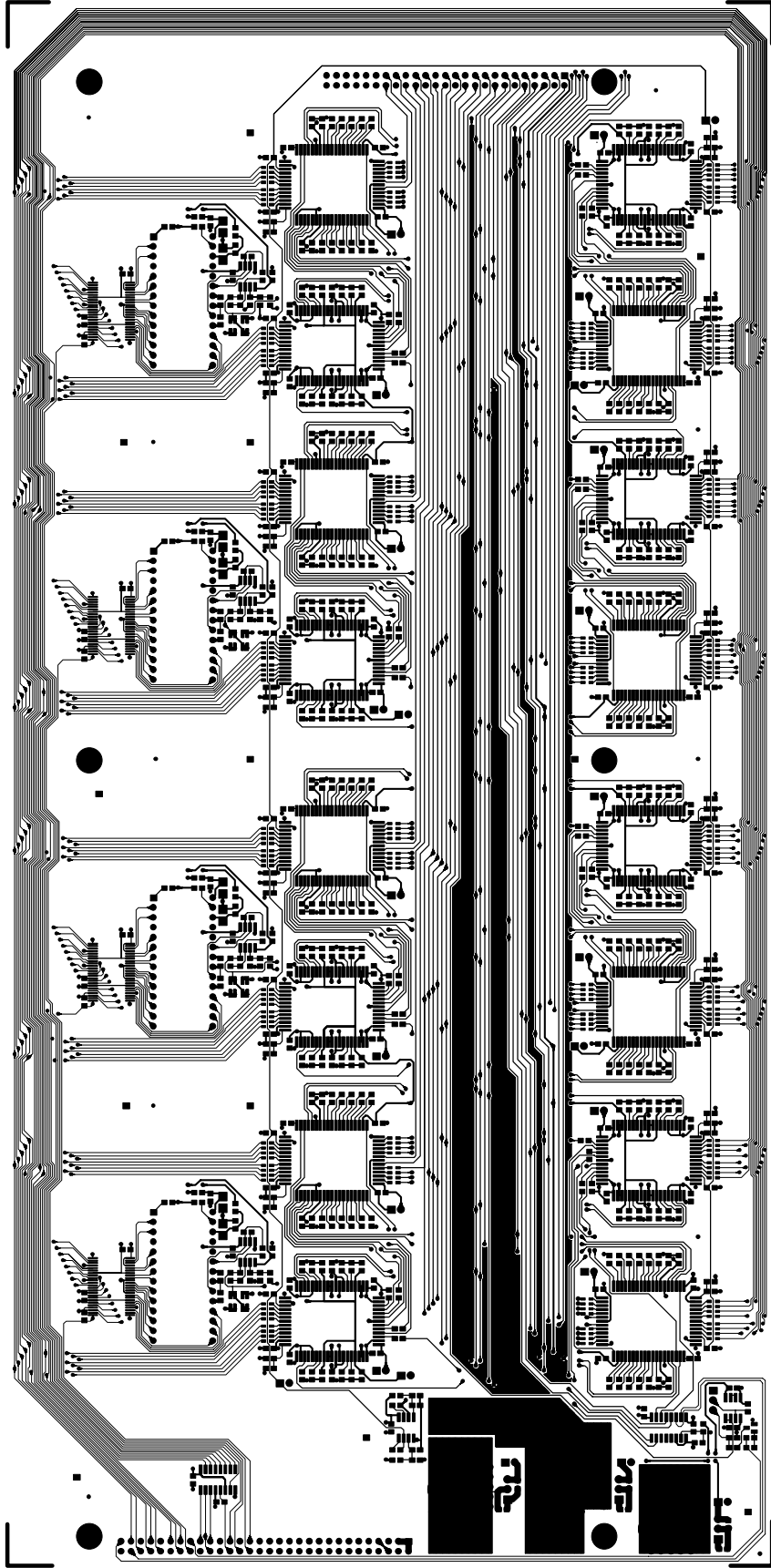


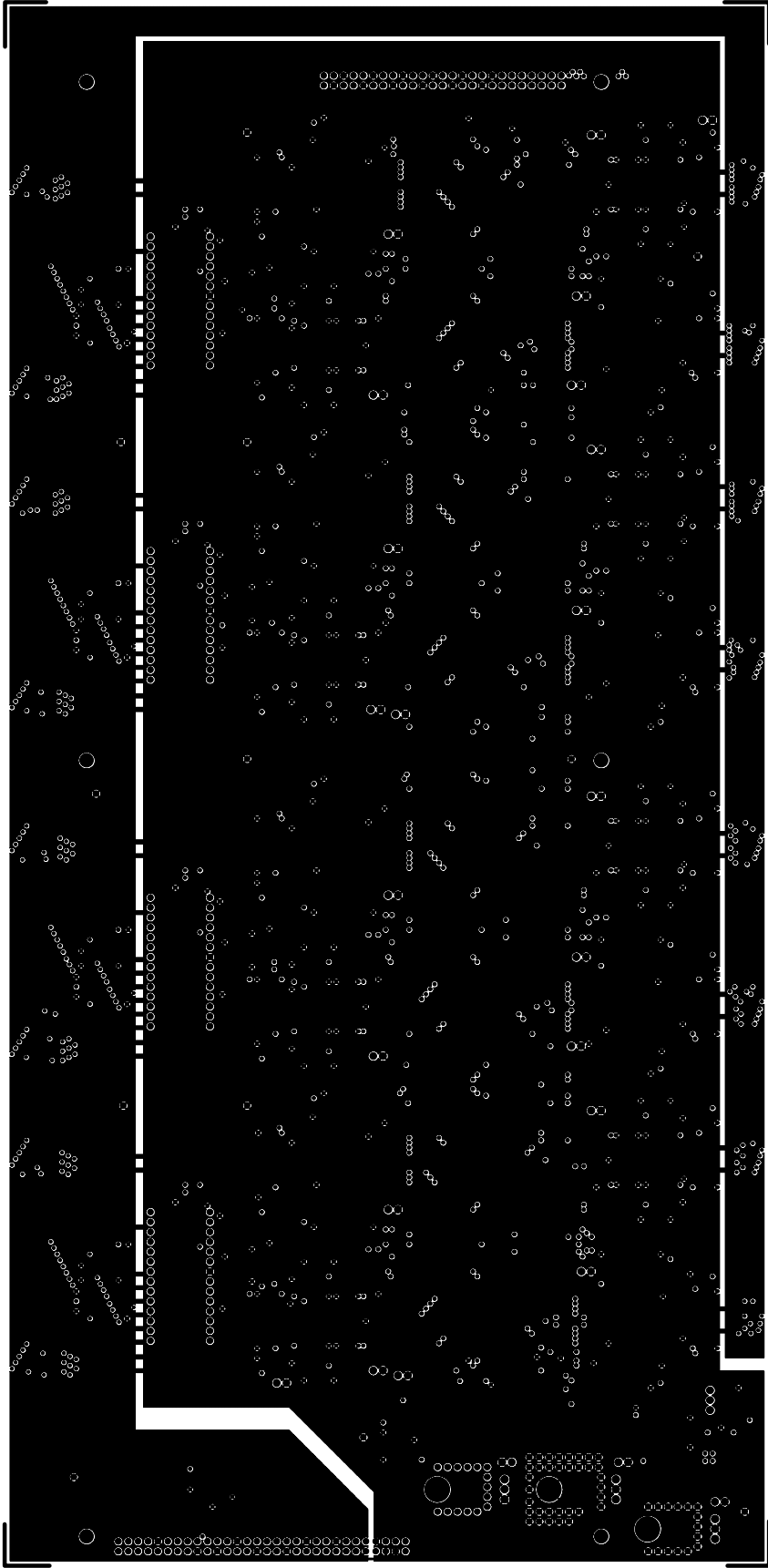


ALESIS 9-40-0210-D "TOPTRACE"



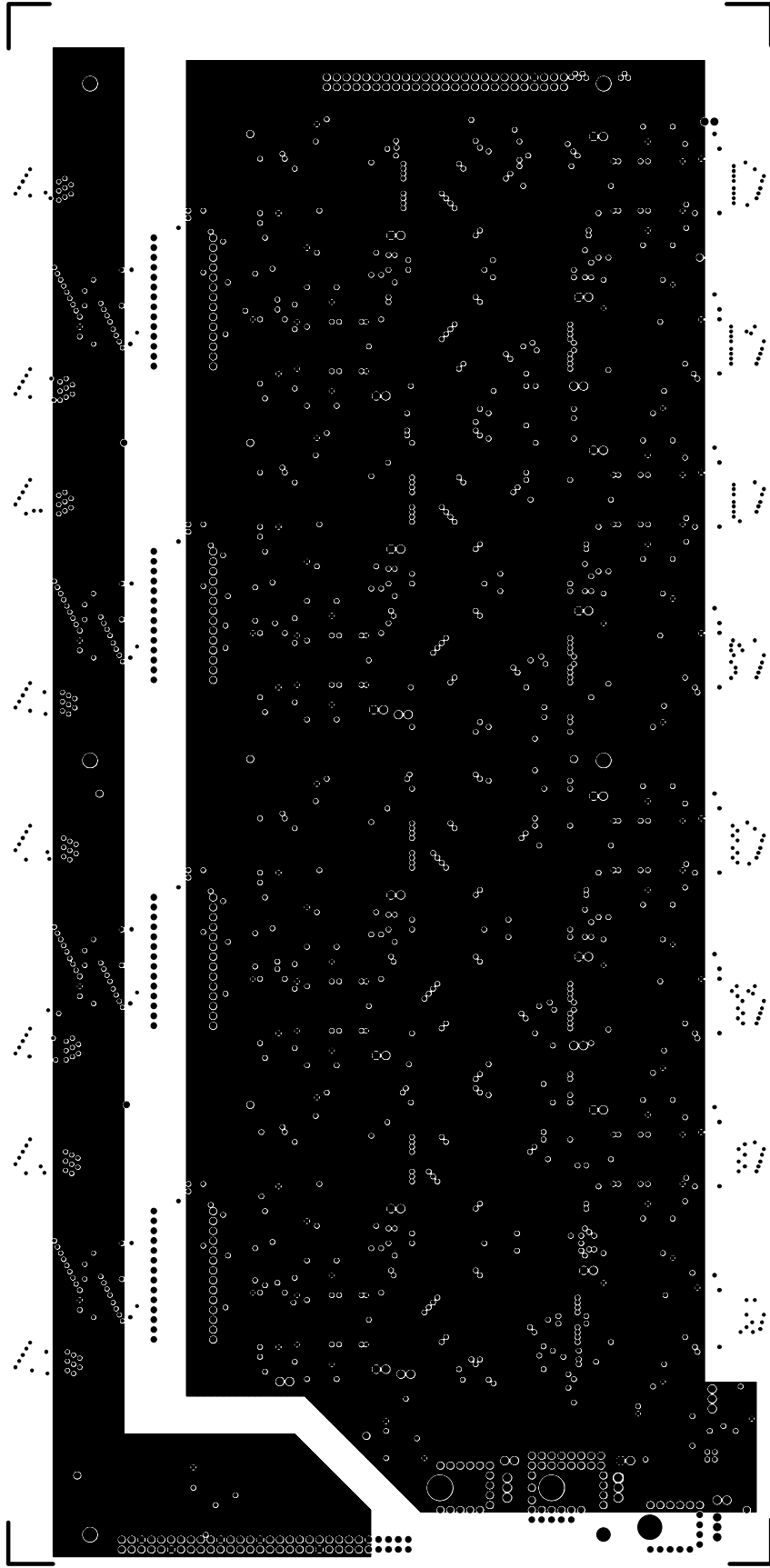


ALESIS 9-40-0210-D "GNDFLANE LAYER 2"



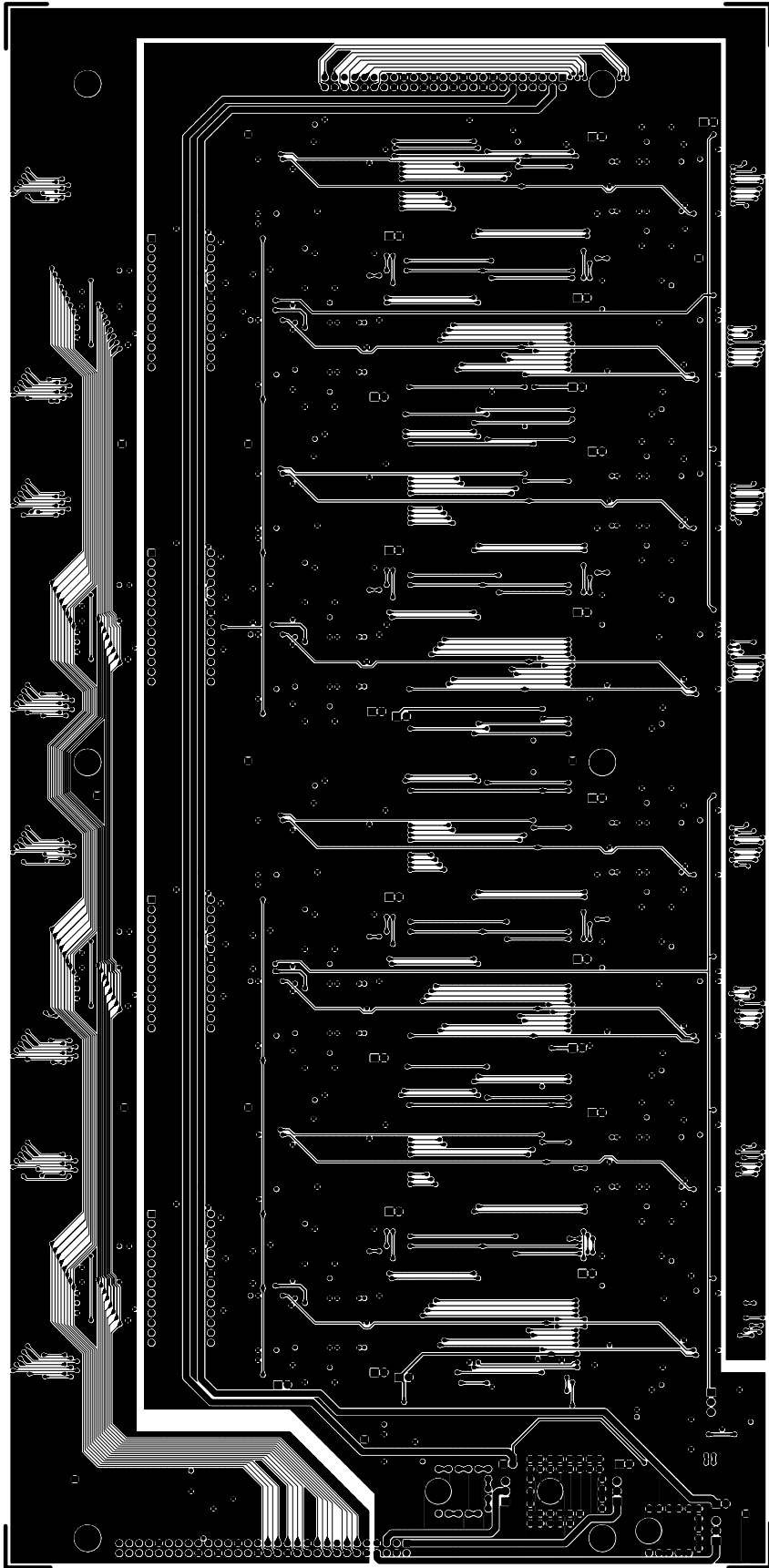


ALESIS 9-40-0210-D "PWRPLANE LAYER 3"

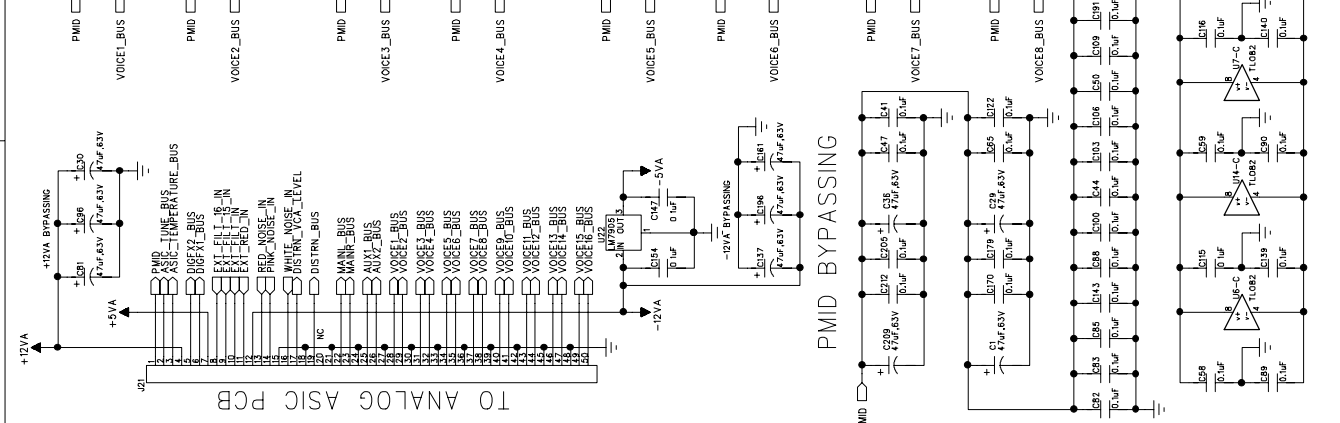
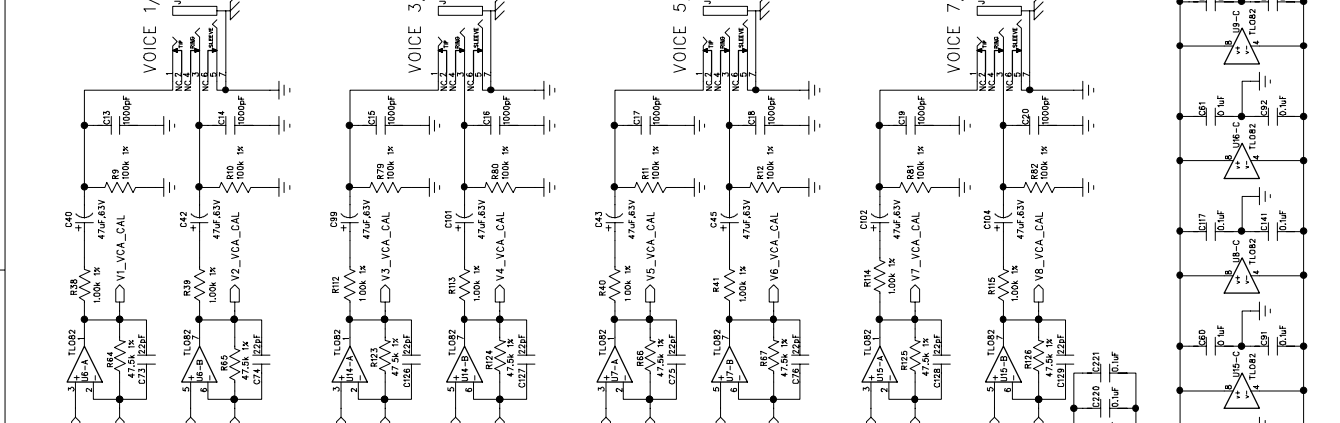
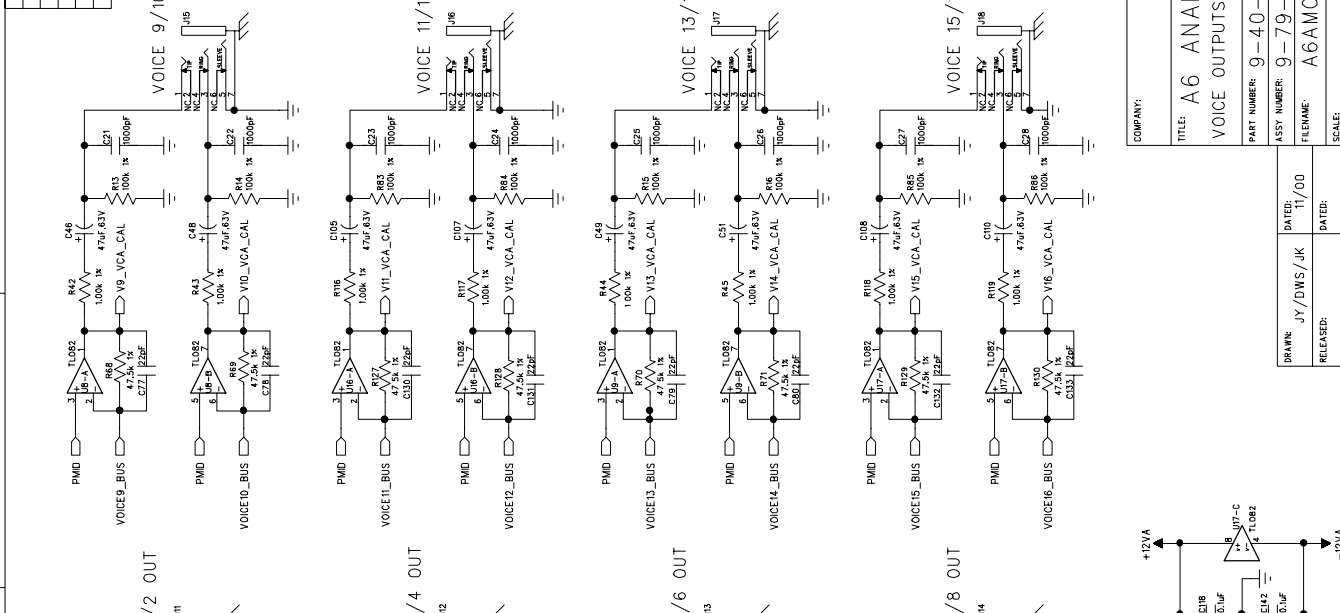




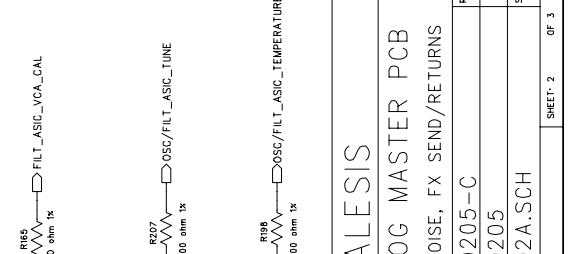
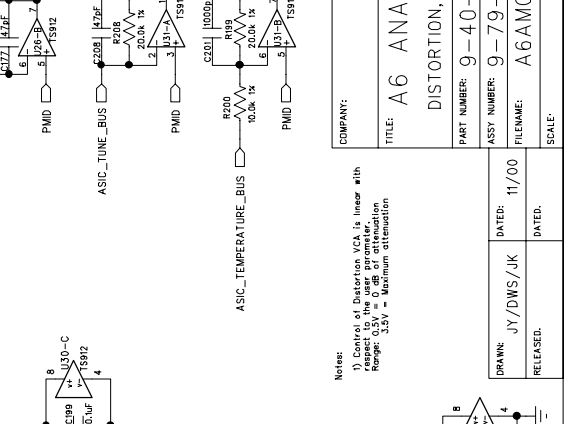
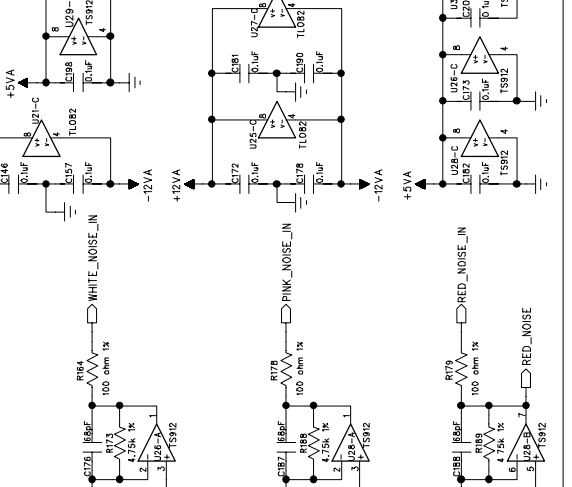
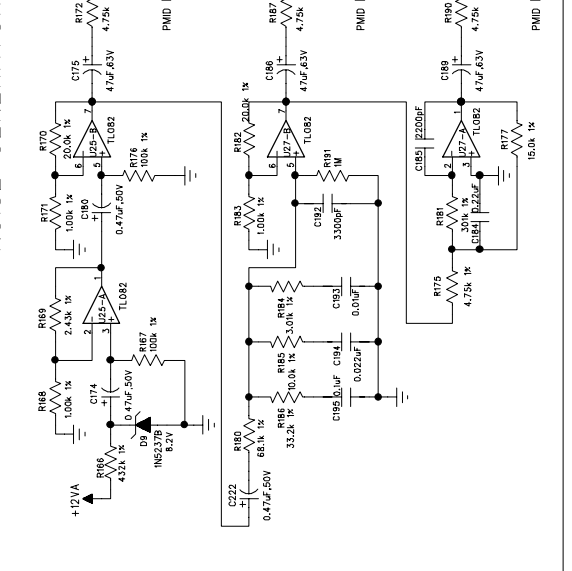
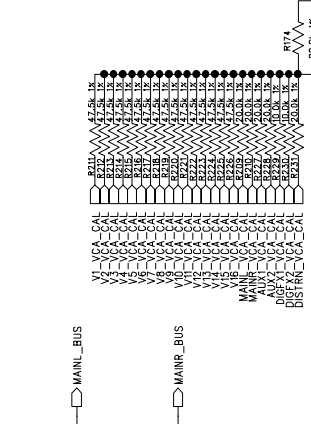
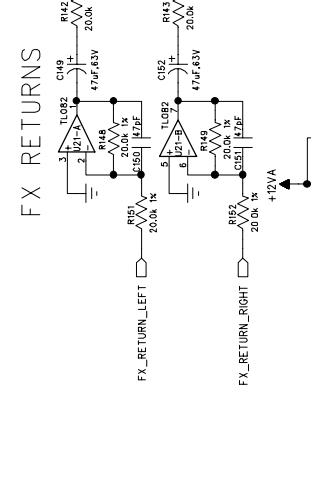
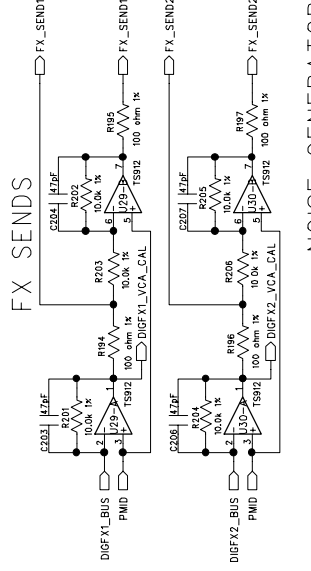
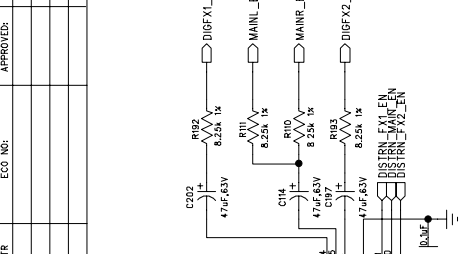
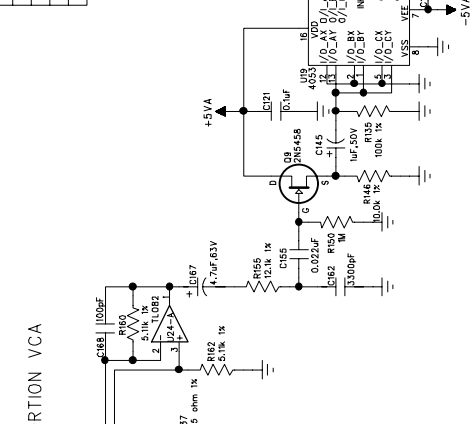
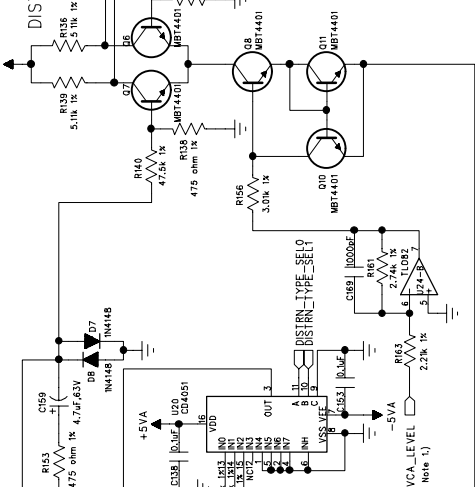
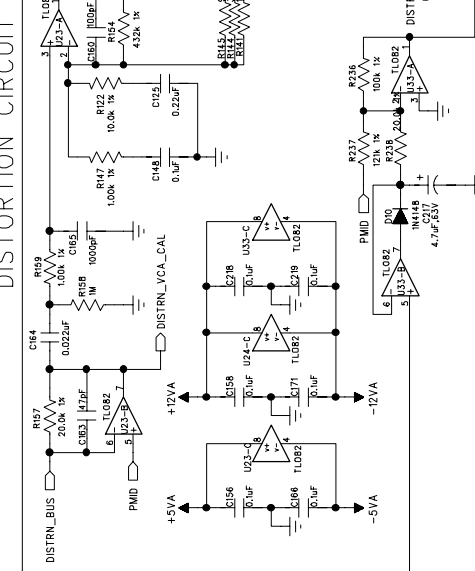
VT232 a-40-0310-D-B011RAC1



| | | | |
|-----|-----------------|-----------|-------|
| LTR | REVISION RECORD | APPROVED: | DATE: |
| | | | |
| | | | |



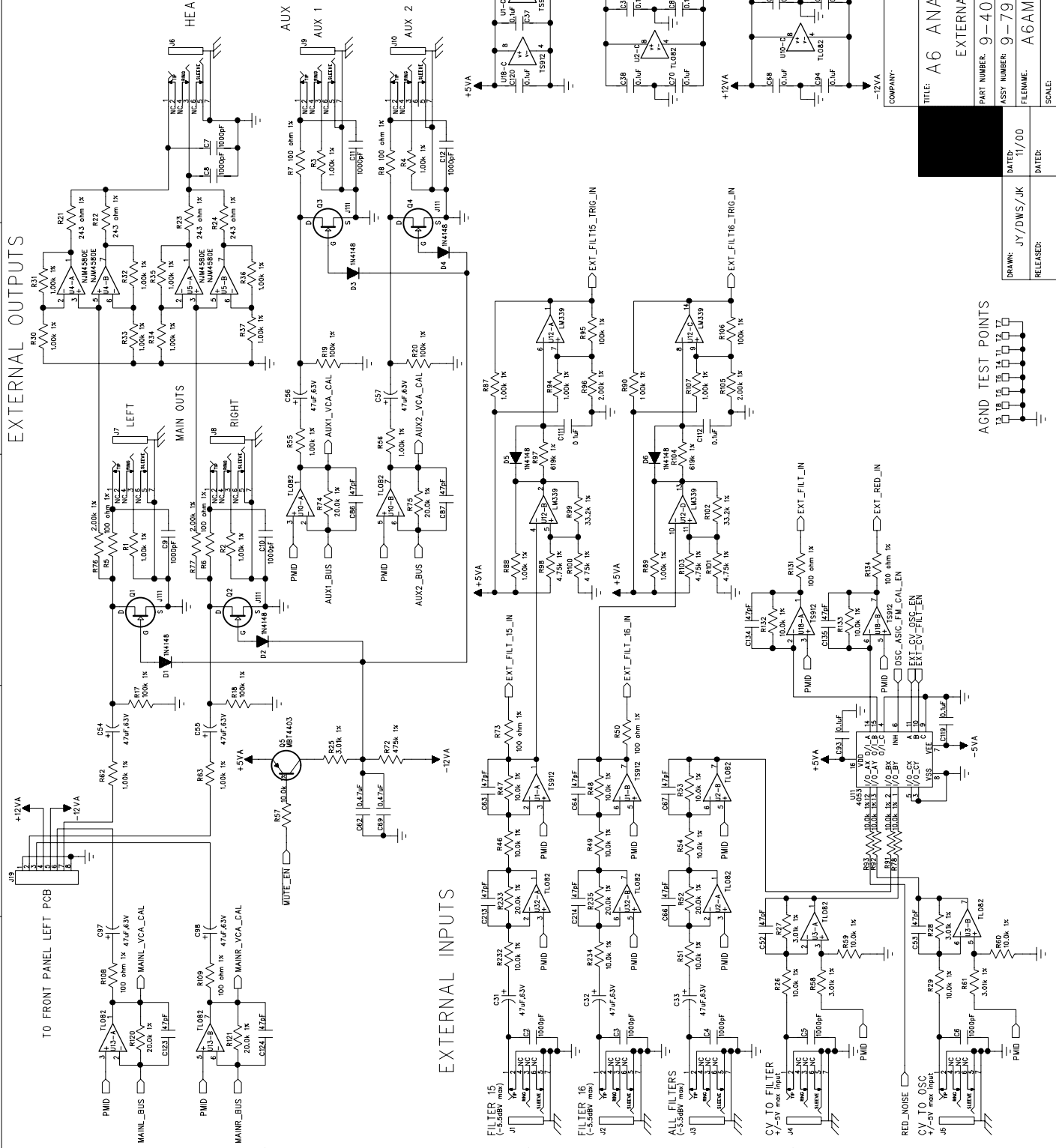
| REVISION RECORD | |
|-----------------|-------|
| ECO NO: | DATE: |
| LTR | |
| | |
| | |
| | |
| | |
| | |



Note: 1) Control of Distortion VCA is linear with Range: 0.5V = 0 dB of attenuation 3.5V = Maximum attenuation

DRAWN: JY/DWS/JK DATED: 11/00 RELEASED:

| | | |
|-----------------|-----------|-------|
| REVISION RECORD | APPROVED: | DATE: |
| ECD NO: | | |
| LTR | | |

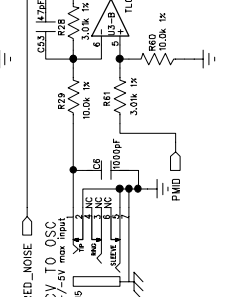


EXTERNAL OUTPUTS

EXTERNAL INPUTS

POWER REGULATION

AGND TEST POINTS



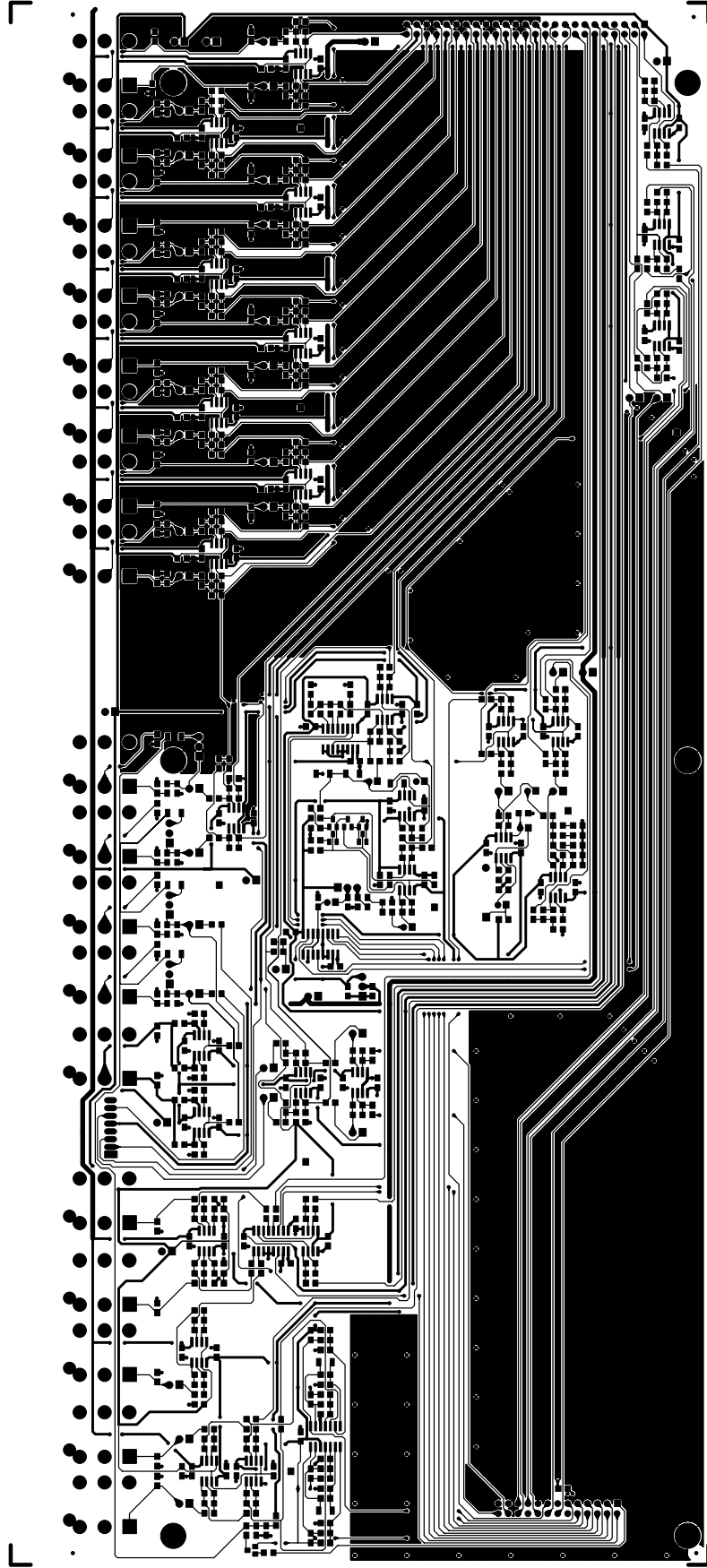
COMPANY: ALESIS
 TITLE: A6 ANALOG MASTER PCB
 PART NUMBER: 9-40-0205-C
 ASSY NUMBER: 9-79-0205
 FILENAME: A6AMCO2A.SCH
 SCALE: SHEET: 3 OF 3

| | | |
|------------------|--------------|---------|
| DRAWN: JY/DWS/JK | DATED: 11/00 | REV. C |
| RELEASED: | PAIRED: | SIZE: C |

ALESIS 9-40-0205-C "TOPASSY"

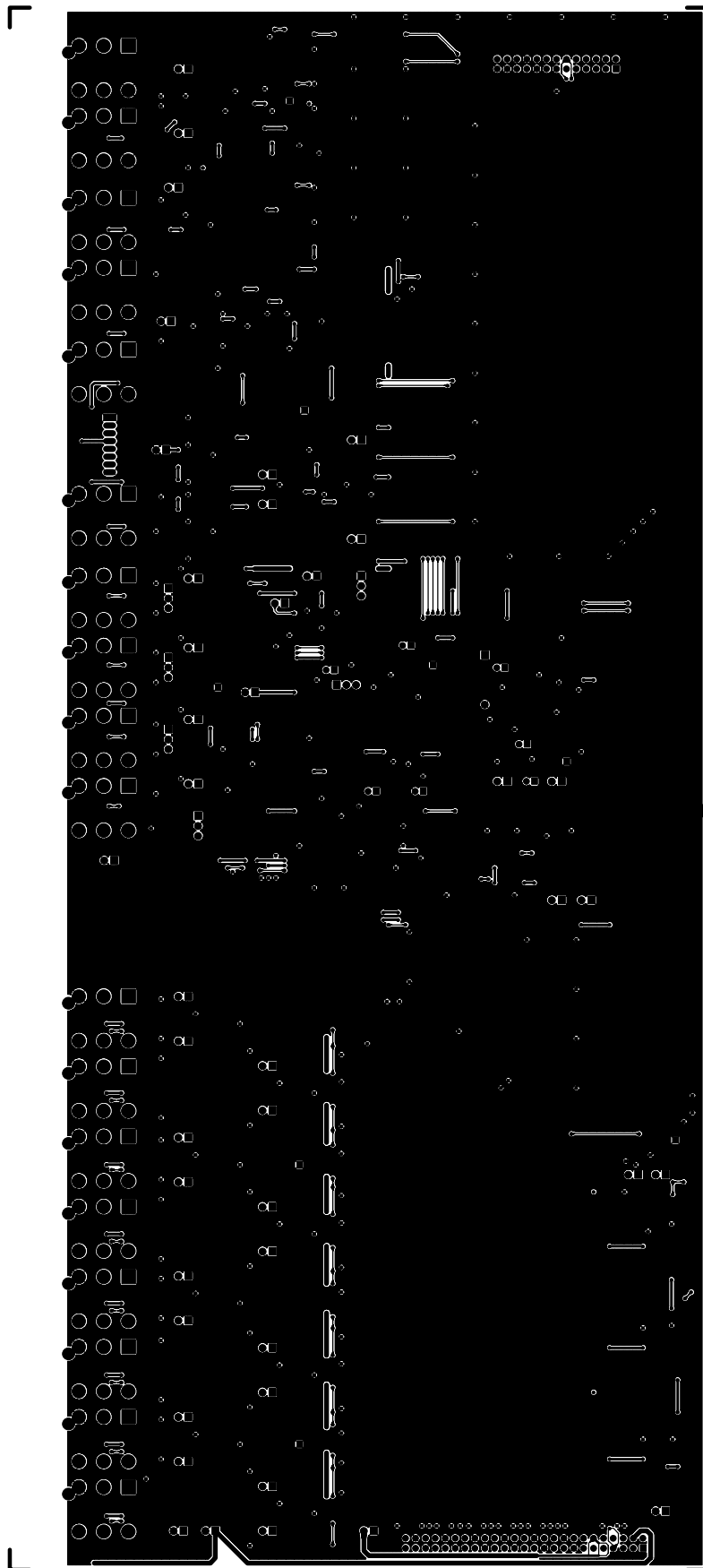


ALESSI 9-40-0205-C "TOPTRACE"

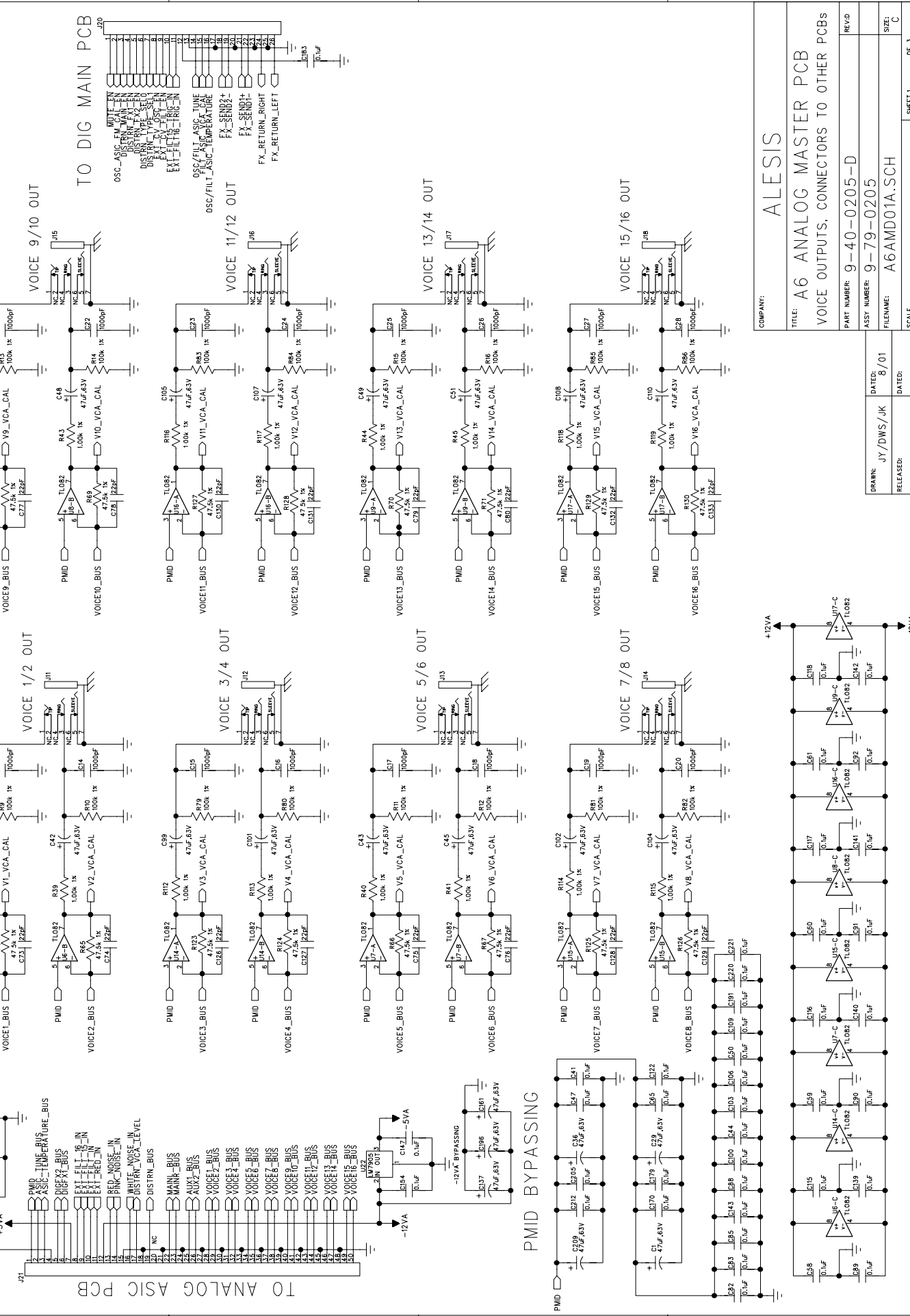




ALESIS 9-40-0205-C "BOTTRACE"



| REVISION RECORD | | APPROVED: | DATE: |
|-----------------|---------|-----------|-------|
| LTR | ECD NO: | | |
| | | | |
| | | | |
| | | | |



1

2

3

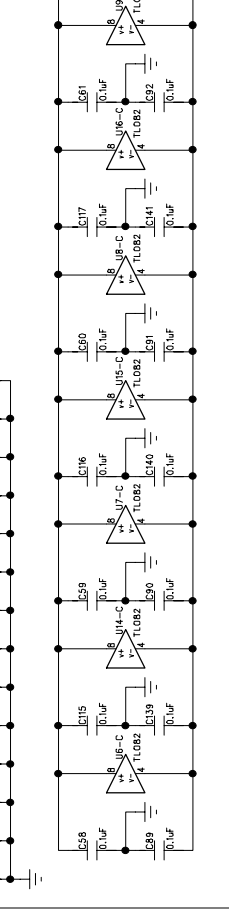
4

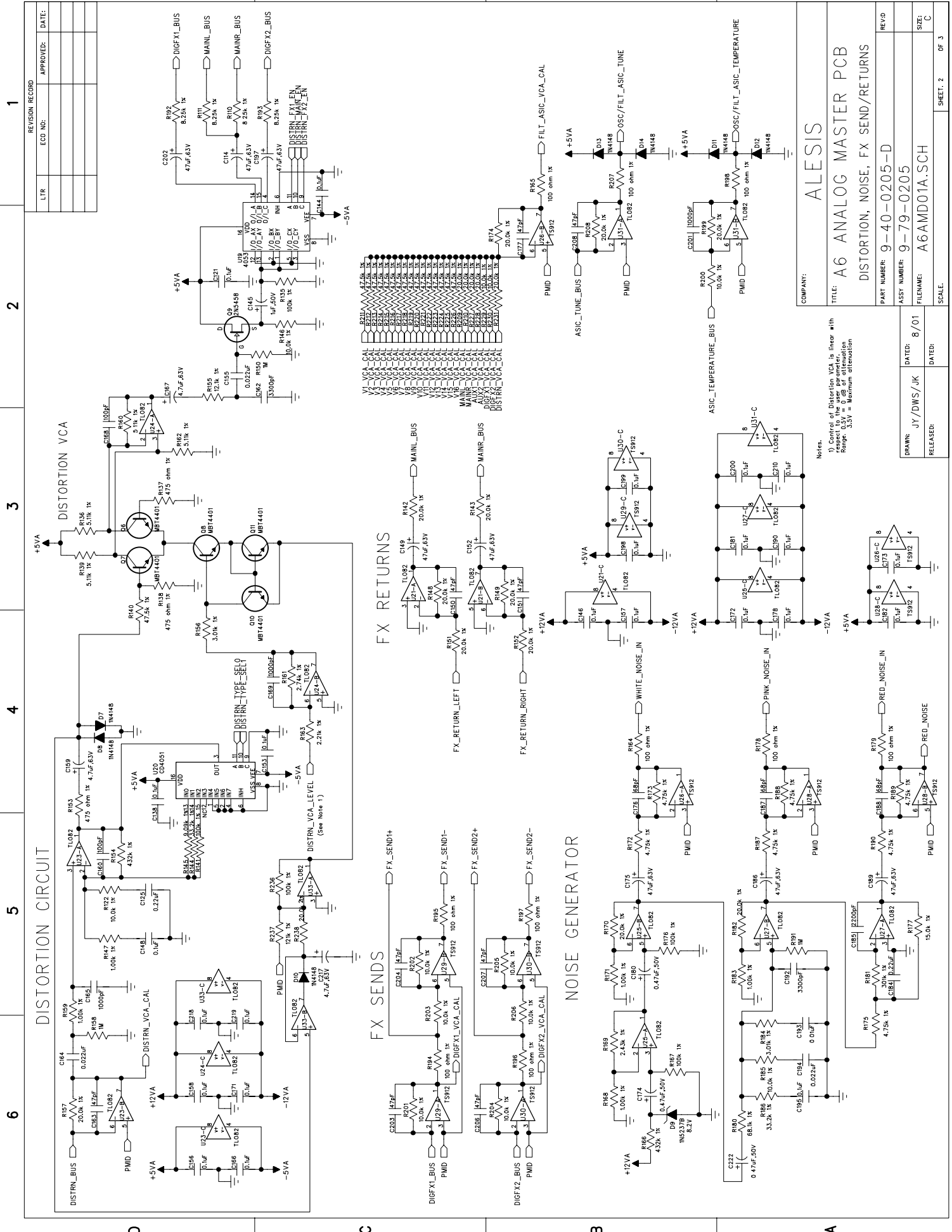
5

6

| | |
|---|--------------|
| COMPANY: | |
| TITLE: A6 ANALOG MASTER PCB | |
| VOICE OUTPUTS, CONNECTORS TO OTHER PCBs | |
| PART NUMBER: | 9-40-0205-D |
| REV/D | |
| ASSY NUMBER: | 9-79-0205 |
| FILENAME: | A6AMD01A.SCH |
| SCALE: | OF 3 |

| | | | |
|-----------|------------|--------|------|
| DRAWN: | JY/DWS/JJK | DATED: | 8/01 |
| RELEASED: | | DATED: | |





| REVISION RECORD | |
|-----------------|-------|
| LTR | DATE: |
| | |
| | |
| | |
| | |
| | |

| | |
|--|--|
| | |
| | |
| | |
| | |
| | |
| | |

| | |
|--|--|
| | |
| | |
| | |
| | |
| | |
| | |

| | |
|--|--|
| | |
| | |
| | |
| | |
| | |
| | |

| | |
|--|--|
| | |
| | |
| | |
| | |
| | |
| | |

| | |
|--|--|
| | |
| | |
| | |
| | |
| | |
| | |

| | |
|--|--|
| | |
| | |
| | |
| | |
| | |
| | |

| | |
|--|--|
| | |
| | |
| | |
| | |
| | |
| | |

| | |
|--|--|
| | |
| | |
| | |
| | |
| | |
| | |

| | |
|--|--|
| | |
| | |
| | |
| | |
| | |
| | |

| | |
|--|--|
| | |
| | |
| | |
| | |
| | |
| | |

| | |
|--|--|
| | |
| | |
| | |
| | |
| | |
| | |

COMPANY: ALESIS
 TITLE: A6 ANALOG MASTER PCB
 DISTORTION, NOISE, FX SEND/RETURNS
 PART NUMBER: 9-40-0205-D
 ASSY NUMBER: 9-79-0205
 FILENAME: A6AMD01A.SCH
 SCALE:

Notes:
 1) Control of Distortion VCA is linear with
 range of 0dB to 15dB. The
 Range: 0.5V = 0 dB of attenuation
 Range: 3.5V = Maximum attenuation

DRAWN: JY/DWS/JJK
 RELEASED:

DATED: 8/01
 DATED:

| REVISION RECORD | |
|-----------------|-------|
| LTR | DATE: |
| | |
| | |
| | |
| | |
| | |

1

2

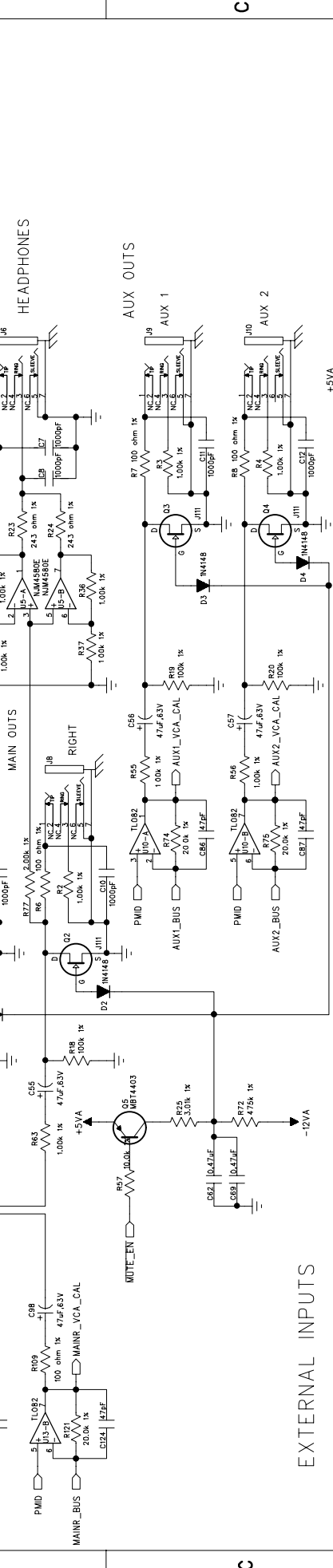
3

4

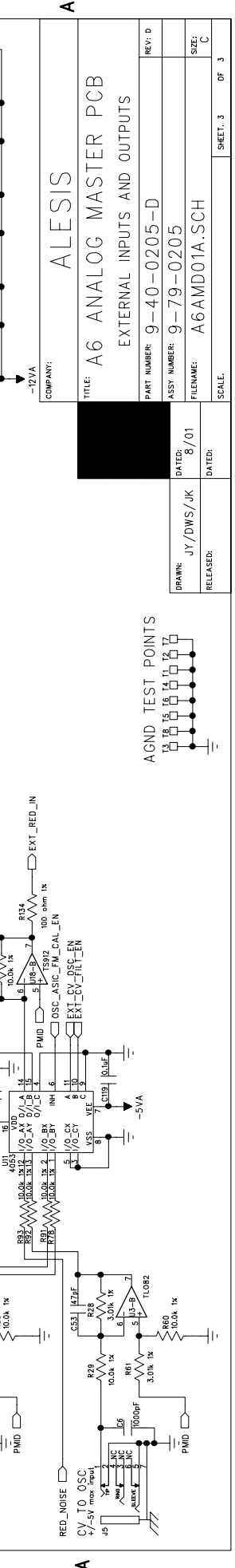
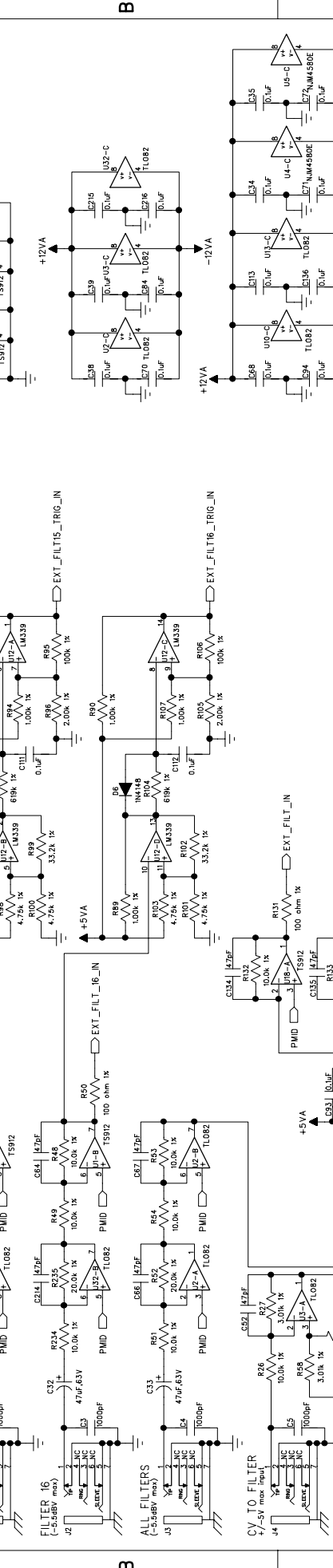
5

6

EXTERNAL OUTPUTS



EXTERNAL INPUTS



COMPANY: **ALESIS**

TITLE: **A6 ANALOG MASTER PCB**

EXTERNAL INPUTS AND OUTPUTS

PART NUMBER: 9-40-0205-D

REV: D

ASSY NUMBER: 9-79-0205

FILENAME: A6AMD01A.SCH

SIZE: C

DRAWN: JY/DWS/JJK

DATED: 8/01

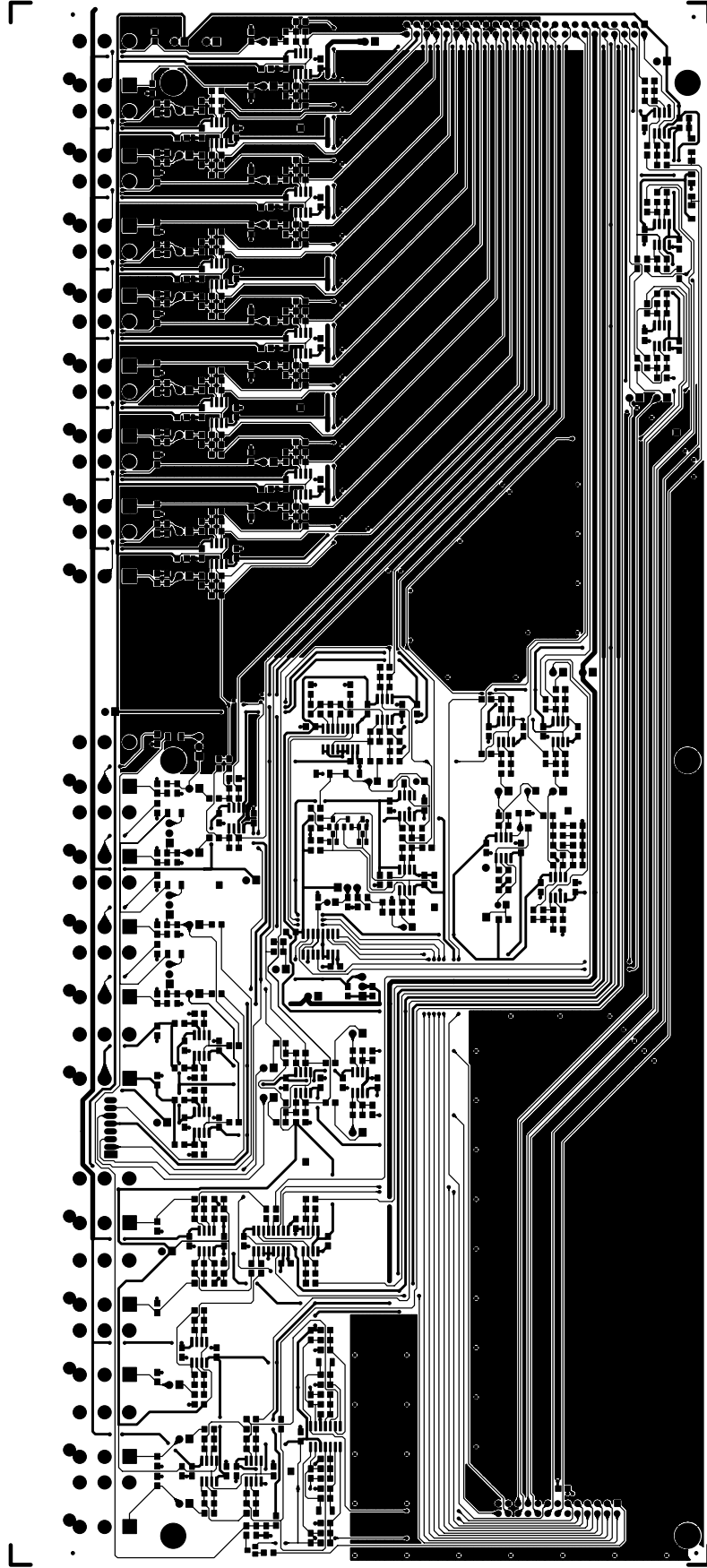
RELEASED: DATED:

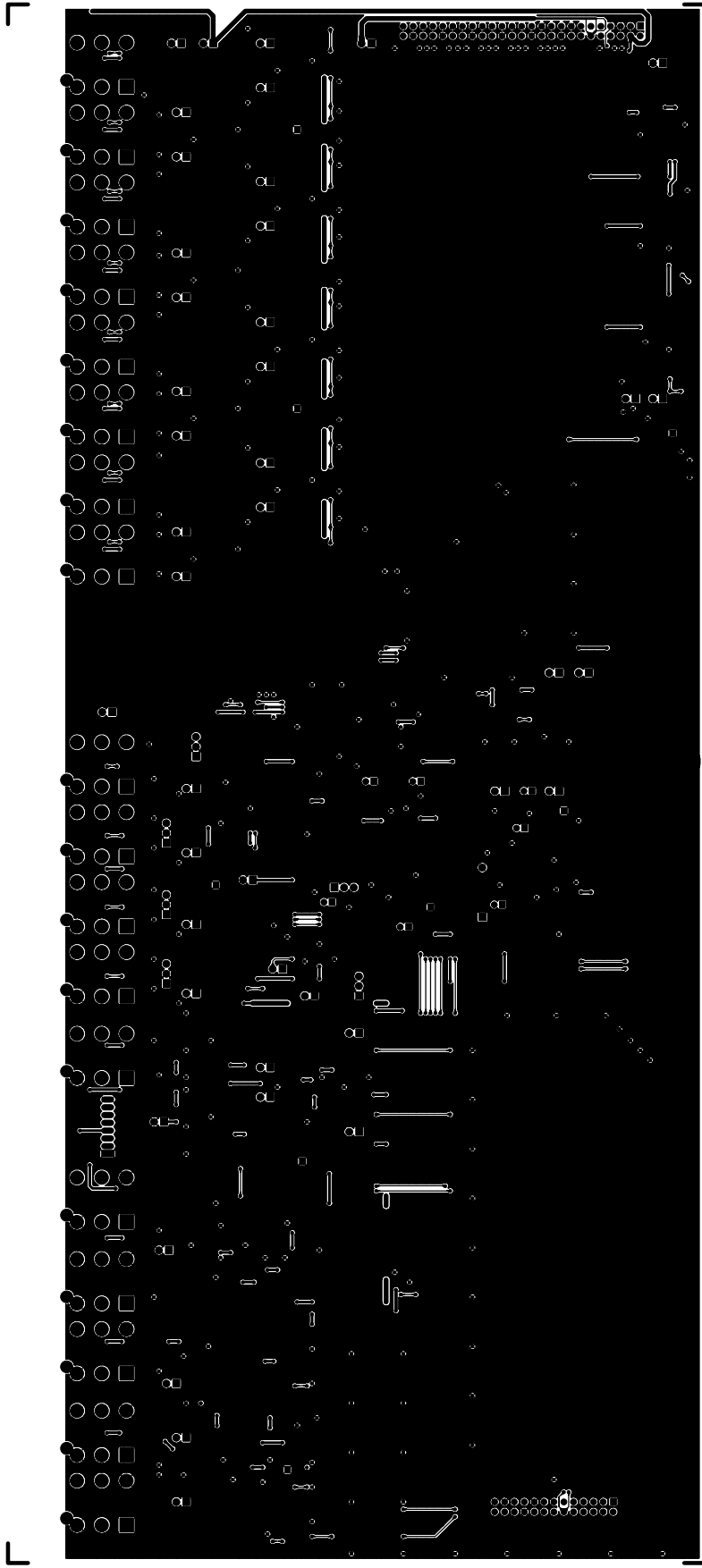
SHEET: 3 OF 3

ALESIS 9-40-0205-D "TOPASSY"



ALESSI 9-40-0205-D "TOPTRACE"





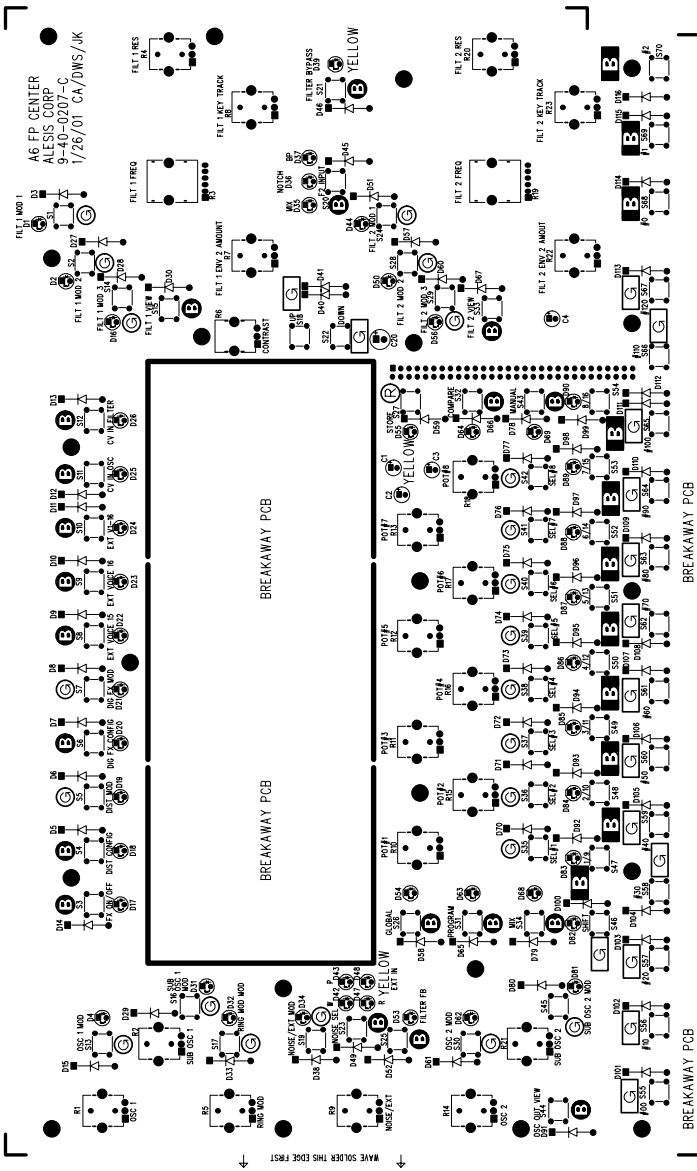
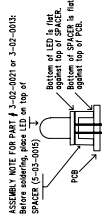
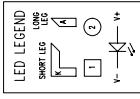
VITE212 3-40-0302-D -BOLLRACE..

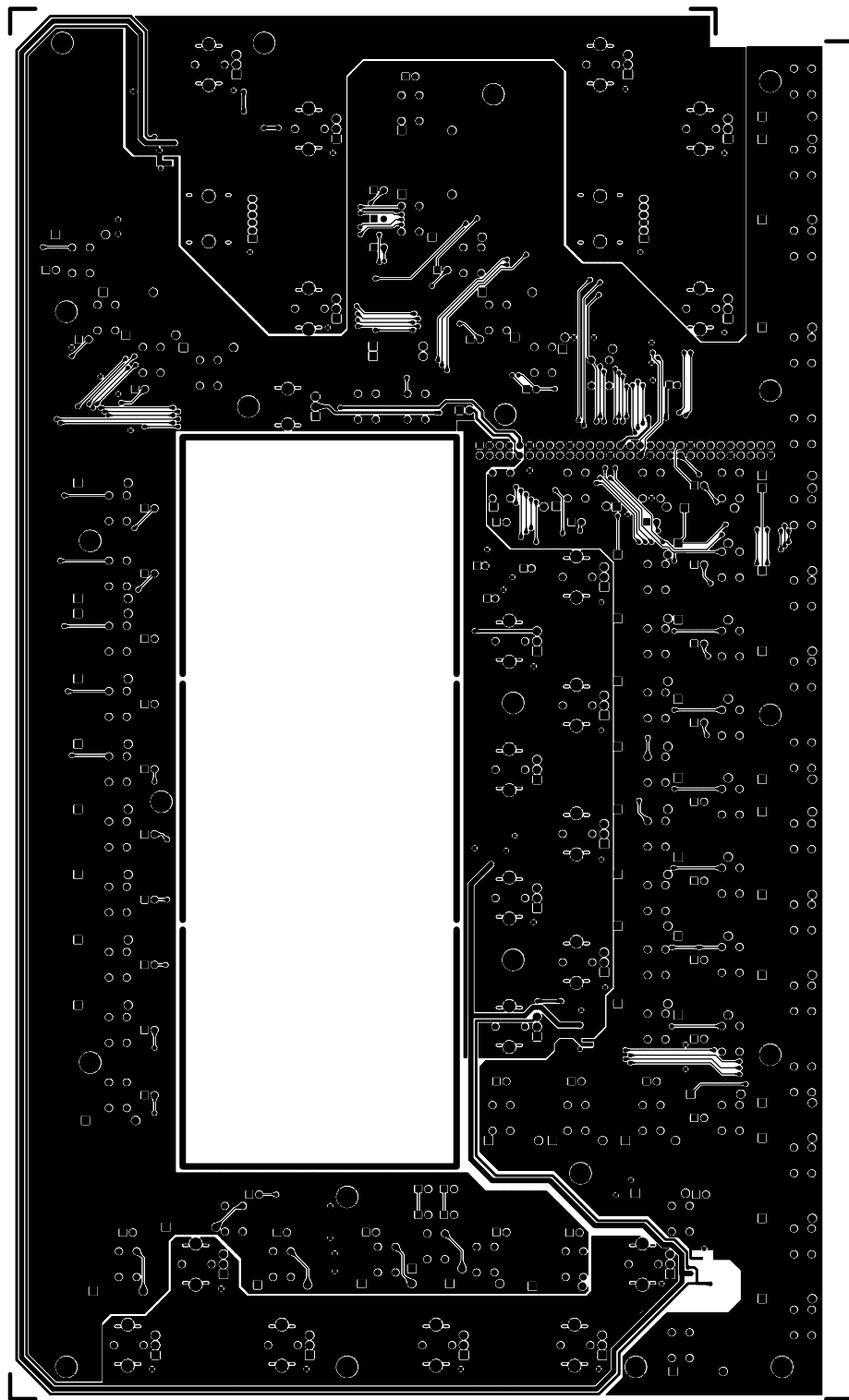


ALESIS ASSEMBLY DRAWING "TOP" 9-79-0207-C



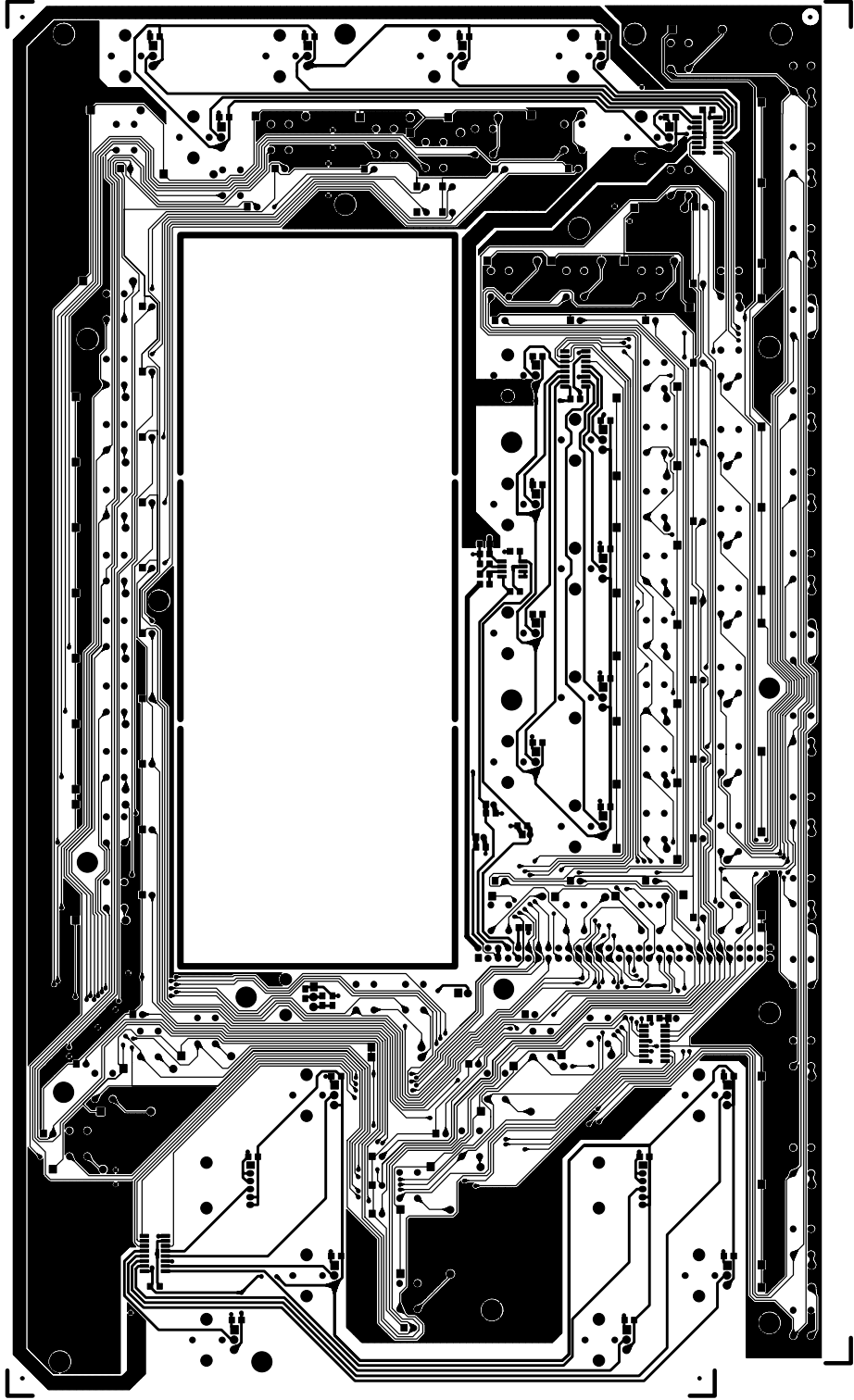
1. Wave solder all surface mount parts and thru hole leads.
2. Board designed to be wave soldered, straight edge first (refer to note with arrows on this drawing)
3. Hand stuff all thru hole components on topside and make sure they are flush (flat) against the PCB.
5. Before wavesoldering, mask J1 pads (will be assembled bottomsides) LEDs and spacers (see below) for assembling and inserting PCB.
6. Refer to drawings (see below) for assembling and inserting LEDs and spacers. Insert spacers with LED flush against PCB. Top of LED should not be above rim (top) of spacer.
7. D39, D48 & D55 are yellow LEDs (3-02-0013) and are marked "YELLOW". All other LEDs are green (3-02-0021) and unmarked.
8. Detach BREAKAWAY PCBs along bottom edge and in the inner rectangle after wavesoldering.
9. VERY IMPORTANT: ALL POTS (0-09-1096, 0-09-0018, 0-09-1090) SWITCHES (6-02-0050) AND LED ASSEMBLIES (SEE BELOW) MUST BE PERFECTLY FLUSH (FLAT) AGAINST THE PCB
10. Board to be wave soldered using Alesis supplied solder fixture.
11. SWITCHCAP LEGEND: "B" in a circle for black circular switchcaps "R" in a circle for red circular switchcaps. "G" in a circle for grey circular switchcaps. "B" in a rectangle for black rectangular switchcaps. "G" in a rectangle for grey rectangular switchcaps.





ALESIS 9-40-0207-C "TOPTRACE"





ALESIS 9-40-0207-C "BOTTRACE"